

Modular Work Centers

Multi-Tier Carton Rack (D-9062N)

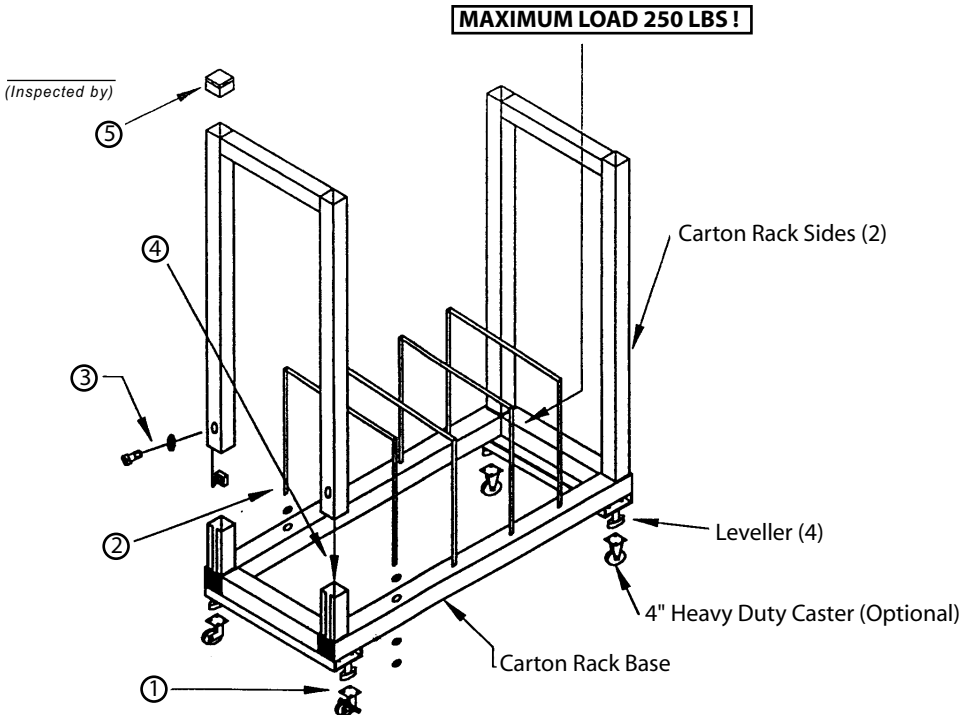
CALSTONE INC - 020107

Component Parts:

- 1 - Carton Rack Base
- 2 - Carton Rack Sides
- 4 - Wire Divider
- 4 - 1-1/2" Square Plastic Cap
- 8 - 1/2"-13 Hex Nut
- 16 - 1/2" Flat Washer
- 4 - 3/8"-16 Square Nut
- 4 - 3/8" Flat Washer
- 4 - 3/8"-16 Hex Bolt
- 4 - 3/8"-16 x 1-1/4 Leveller
- 4 - 4" Heavy Duty Caster (optional) 2-Swivel & Lockable, 2-Rigid

Multi-Tier Carton Rack Assembly:

1. Install levellers or casters to base.
2. Install dividers to base: 1/2"-13 Hex Nut (8), 1/2" Flat Washers (16).
3. Install hardware set to carton side: 3/8"-16 Hex Bolt (4), 3/8" Flat Washer (4), 3/8"-16 Square Nut (4).
4. Place carton sides down to base extension and tighten all screws.
5. Insert plastic caps to carton sides.



Do not discard packaging material until all contents are located