

# Modular Work Centres

## Carton Extension Rack (D-9203)

CALSTONE INC. - 020107

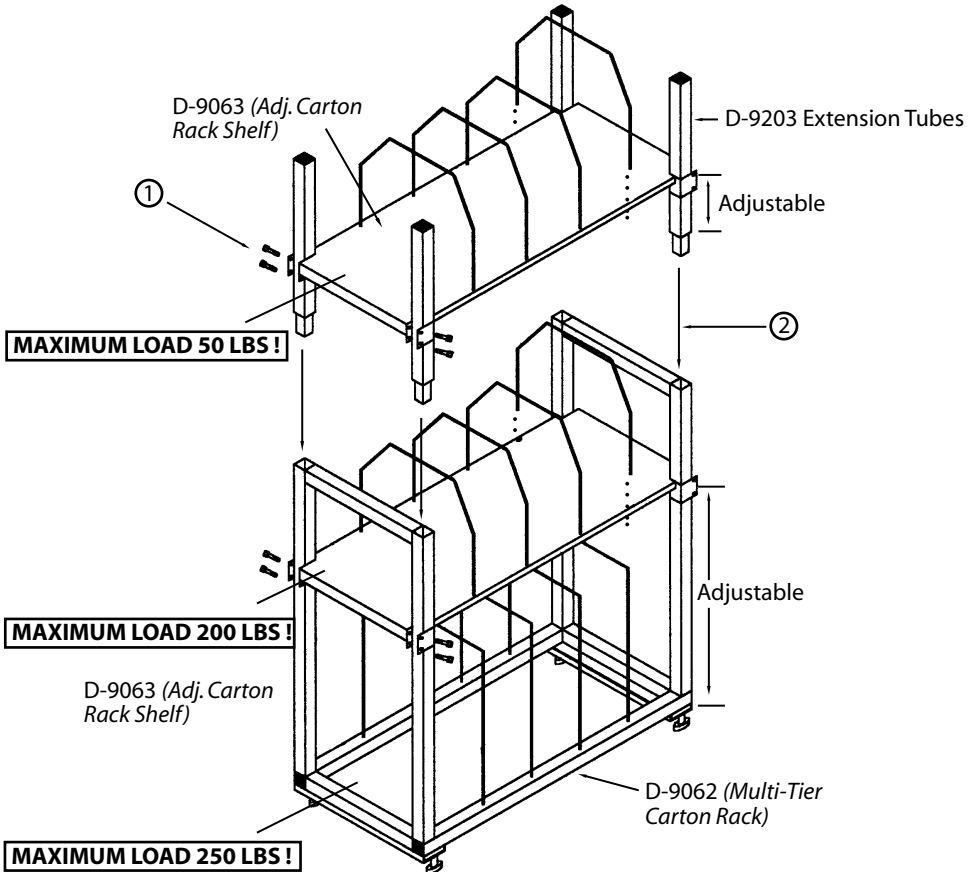
### Component Parts:

4 - Extension Tubes

(Inspected by)

### Carton Extension Rack Assembly:

1. Install D-9203 to the bracket of D-9063 (Adjustable Carton Rack Shelf).
2. Insert the extension of D-9203 down to the top of D-9062 (Multi-Tier Carton Rack).



\*Do not discard packaging material until all contents are located\*

300 S. Lageschulte St.  
Barrington, IL 60010  
Phone: 847.382.1579 Fax: 847.382.1615  
E-mail: info@dehnco.com