

# Modular Work Centers

## Table Stand for EC and RC Cutters

CALSTONE INC - 020107

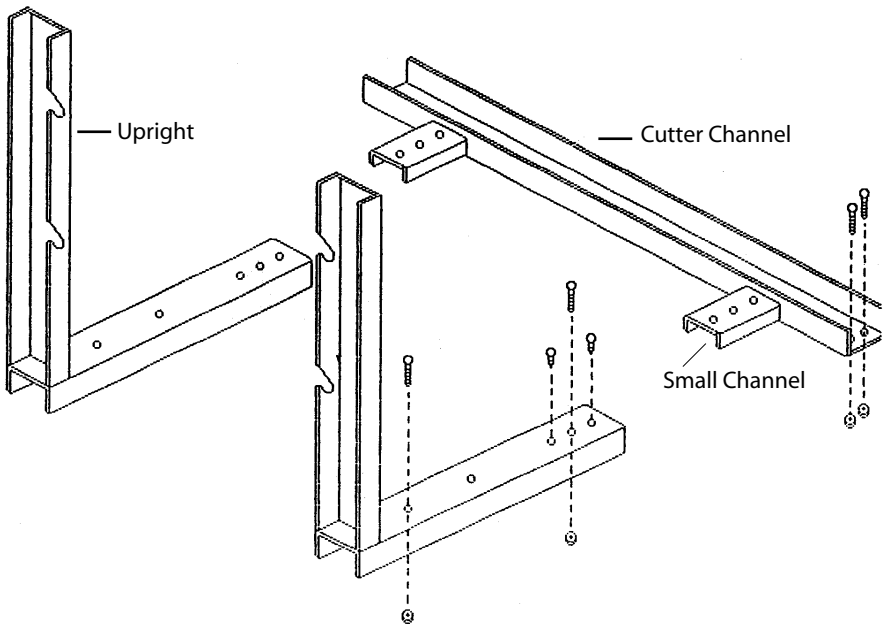
### Component Parts:

- 2 - Uprights
- 1 - Cutter Channel
- 4 - 1/4-20 x 3" Combination Head Machine Screw
- 4 - 1/4-20 Hex Kept Nut
- 4 - 1/4" Flat Washer
- 4 - #10 x 3/4 Truss Combination Self Tapping Screw

### Table Stand Assembly:

1. Fasten cutter with channel though table top with 1/4 x 3" bolts and nuts.
2. Slide uprights over small channel and fasten with #10 x 5/8 combination screws.
3. For additional strength, we recommend to fasten uprights through table top with 1/4 x 1-1/2 bolt and nuts.

*(Inspected by)*



\*Do not discard packaging material until all contents are located\*