

Modular Work Centers

Multiple Roll Stand (with Accessories)

CALSTONE INC - 020107

Component Parts:

- 2 - MRS Side Frames
- 1 - MRS Base
- 4 - Adjustable Glides
- 4 - 5/16-18 x 2-1/4 Hex Head Cap Screws
- 4 - 5/16-18 Hex Nuts

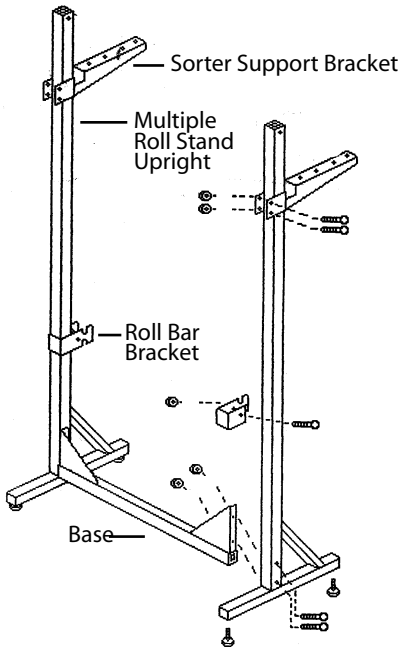
(Inspected by)

Multiple Roll Stand Assembly:

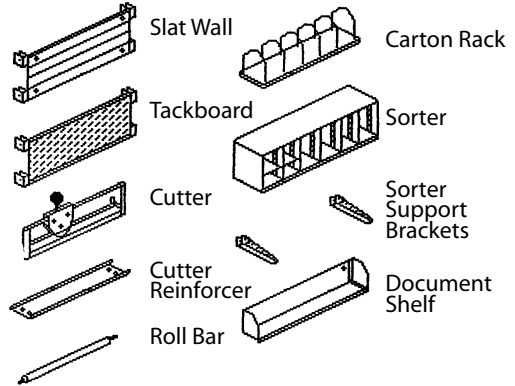
1. Fasten base to side frame with 5/16-18 x 2-1/4 Hex Head Cap Screws.

Accessories Assembly:

1. Used in conjunction with a MRS-59 Multiple Roll Storage Stand. Accessories MUST be ordered separately.
2. Install other components as per individual assembly instruction sheets.



Multiple Roll Stand Accessories:



Do not discard packaging material until all contents are located

300 S. Lageschulte St.
Barrington, IL 60010
Phone: 847.382.1579 Fax: 847.382.1615
E-mail: info@dehnco.com