

Modular Work Centers

Metal Splashers (D-9023)

CALSTONE INC - 020107

Component Parts:

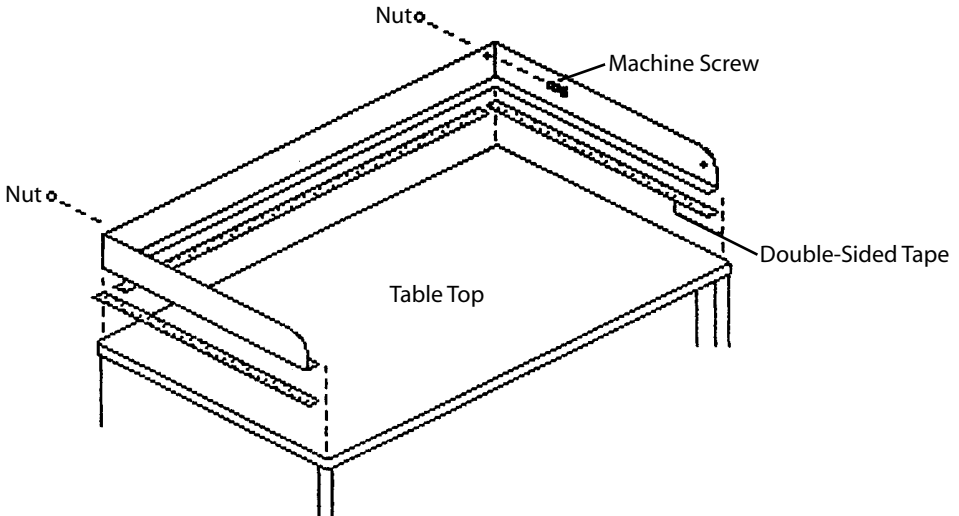
- 1 - Back Splasher
- 2 - Side Splashers
- 2 - 1/4-20 x 3/8 Screws
- 2 - 1/4-20 Kepnuts
- 1 - Roll of Double-Sided Tape

Metal Splashers Assembly:

1. Make sure double-sided tape is applied to bases of splashers assembly parts.
2. Attach splashers sidles to back, using screws and nuts provided.
3. Set splasher assembly onto table top and position at rear of top and equal spacing at sides. Mark position with a pencil.
4. Remove backer from double-sided tape on all parts and re-position assembly onto table top, using pencil marks as a guide and press down firmly to bond.

(Screws for mounting onto top are not supplied. If desired, installer to supply hardware.)

(Inspected by)



Do not discard packaging material until all contents are located

300 S. Lageschulte St.
Barrington, IL 60010
Phone: 847.382.1579 Fax: 847.382.1615
E-mail: info@dehnco.com