

Modular Work Centers

CPU Storage Unit (D-9089N)

CALSTONE INC - 020107

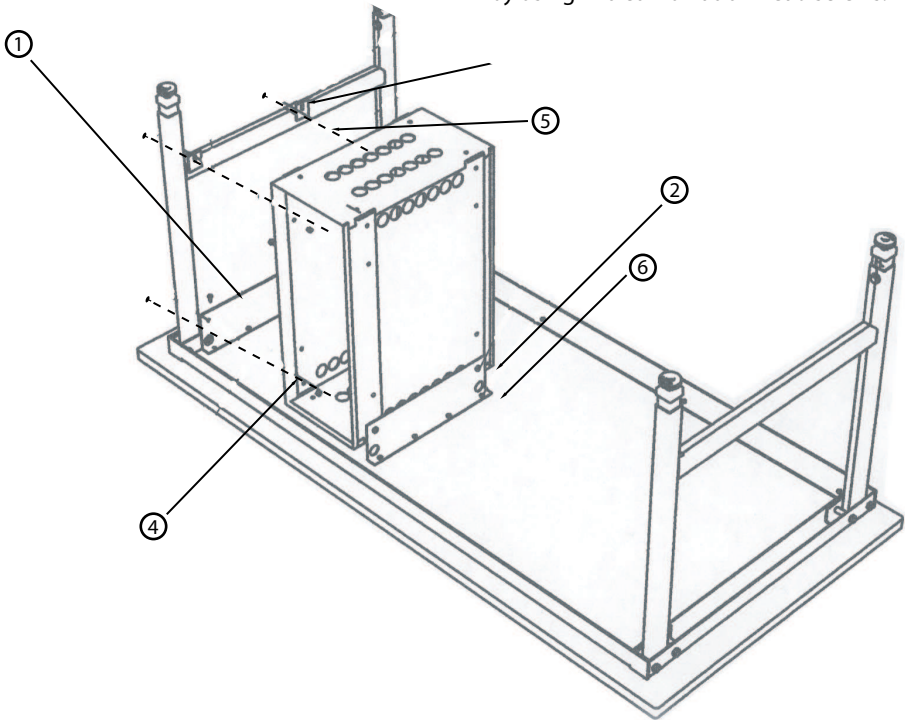
Component Parts:

- 1 - CPU Storage Unit
- 2 - Assembly Brackets
- 6 - 1/4-20 x 2/8 Screws
- 6 - 1/4-20 x 3/8 Nuts
- 8 - #10 Combination Head Screws

(Inspected by)

CPU Storage Unit Assembly:

1. Fasten first hanger bracket to table top (as shown) with #10 Combination Head Screws.
2. Fasten second hanger bracket to CPU Storage Unit by using 1/4-20 x 3/8 screws and nuts.
3. Fasten assembly bracket to cross tube
4. Fasten CPU to first hanger bracket by using 1/4-20 x 3/8 screws and nuts.
5. Fasten CPU to assembly bracket by using 1/4-20 x 3/8 screws and nuts
6. Fasten second hanger bracket to table top by using #10 combination head screws.



Do not discard packaging material until all contents are located

300 S. Lageschulte St.
Barrington, IL 60010
Phone: 847.382.1579 Fax: 847.382.1615
E-mail: info@dehnco.com