

Modular Work Centers

Cantilever Arm Bracket & Light Mounting Channel (D-9035 & D-9036)

CALSTONE INC - 020107

Component Parts (D-9035):

- 2 - Cantilever Arm Brackets
- 2 - 5/16-18 x 2-1/4 Hex Head Cap Screws
- 2 - 5/16-18 Hex Nuts

(Inspected by)

Component Parts (D-9036):

- 1 - Light Mounting Channel
- 2 - 5/16-18 x 2-1/4 Hex Head Cap Screws
- 2 - 5/16-18 Hex Nuts

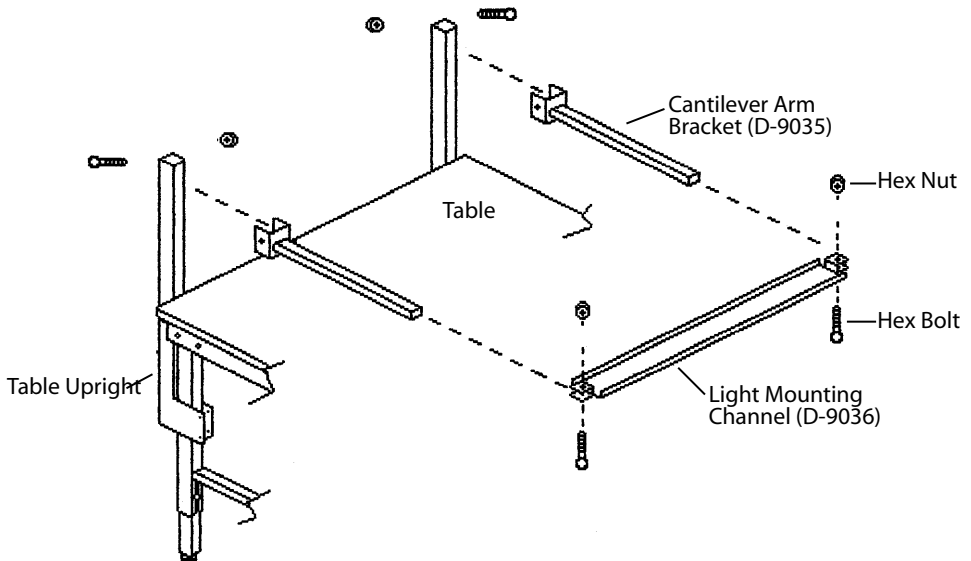
(Inspected by)

Cantilever Arm Bracket Assembly:

1. Assemble Cantilever Arm Brackets to up-rights with 5/16-18 x 2-1/4 Hex Head Cap Screws and Nuts.

Light Mounting Channel Assembly:

1. Slide light mounting channel on to Cantilever Arm Brackets.
2. Fasten with 5/16-18 x 2-1/4 Hex Head Cap Screws and Nuts.



Do not discard packaging material until all contents are located